



6.0 MPa HIGH PRESSURE RECIPROCATING COMPRESSOR

# HS-Series



### The HS-series

introduces a new high pressure series of compressors focusing on environmental friendliness by using natural refrigerants and saving of energy and CO<sub>2</sub> emission.

The machine can be used to compress the gas up to 60 barG.

The HS series compressors can be used in CO<sub>2</sub> refrigeration systems and NH<sub>3</sub> heat pumps.

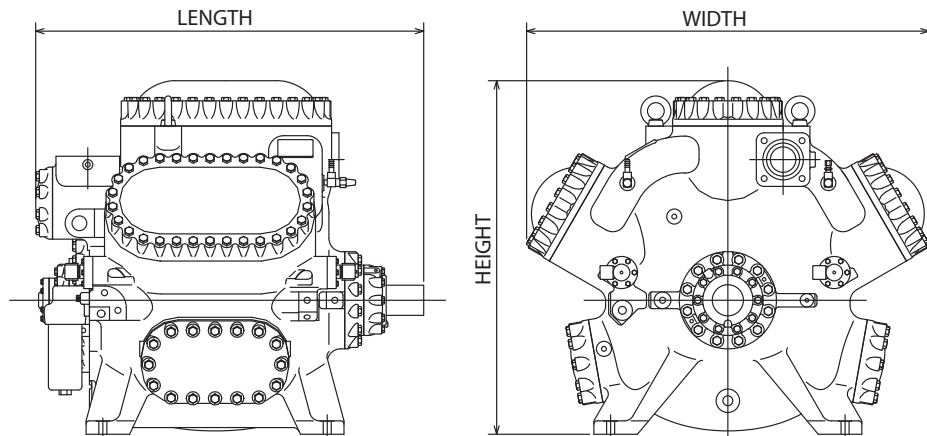
When using the HS series compressor in CO<sub>2</sub> refrigeration, this compressor can also be used for defrosting of the system up to 20°C, in addition to the refrigeration duty.

The HS series compressor heat pumps are directly contributing to significant energy savings.

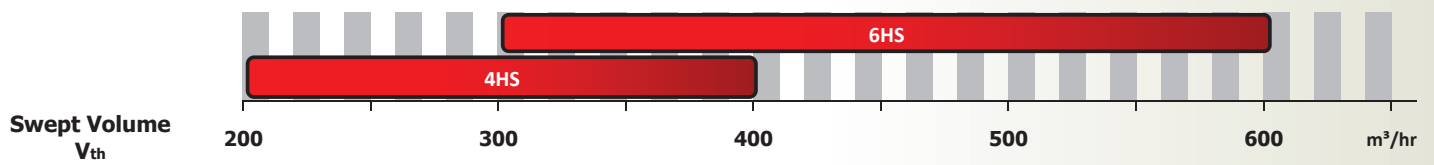
The heat pump can produce hot water up to 95°C with important reduction of fossil fuel consumption such as gas and oil.

The HS series can be used in a wide range of pressures and speeds.

MAYEKAWA HS series compressors directly contribute in achieving your plant energy reduction plan.



UNIT TYPE	WEIGHT (kg)	WIDTH (mm)	LENGTH (mm)	HEIGHT (mm)
4HS	1600	1100	1200	1100
6HS	1800	1300	1200	1100



ITEM	LIMIT VALUE	REMARKS
Maximum discharge pressure [barG]	60	
Maximum suction pressure [barG]	30 <sup>1)</sup>	
Minimum suction pressure [barG]	CO <sub>2</sub> ; 4.2 NH <sub>3</sub> ; <sup>2)</sup>	
Maximum differential pressure [barG]	40	Pd-Ps
Design pressure [barG]	66 / 35	Low/High
Maximum compression ratio [-]	NH <sub>3</sub> : ≤ 5.0	Limited on discharge temperature
Maximum discharge temperature [°C]	140	
Minimum suction temperature [°C]	-60	
Maximum oil supply temperature [°C]	70	Oil cooler outlet
Suction superheat [K]	> 0, ≤ 15	
Minimum/maximum cooling water inlet temperature [°C]	15 / 50	Water temperature for head covers ≤ 50
Minimum/maximum rotation speed (rpm)	750 / 1500	Direct drive only

1) During start-up condition, maximum should be kept less than 3.0MPa.

2) Now checking.

### WORLDWIDE

- 40 countries / 127 offices
- 8 production plants



## MAYEKAWA EMEA Organization

### ABU DHABI

Ali & Sons Business Center Office No. 201  
Ali Khalfan Rashed Al Mutawa Al Dhahiri Bldg.  
Plot no 29, Al Ain Road, Umm Al Nar  
Tel. +971 2 5102151  
Fax +971 2 5102571

### BULGARIA

Kamen Andreev Str. 24, 1303 Sofia  
Tel. +359 2 8910130  
Fax +359 2 8910131

### DUBAI

P.O. Box 61349, W-HOUSE  
No. RA-08-UC05  
Jebel Ali Free Zone Dubai, UAE  
Tel. +971 4 8886363  
Fax +971 4 8886373

### EGYPT

New Cairo, 5th Settlement  
North 90th St.  
The 47th Building  
Tel. +20 22 5062925  
Fax +20 22 5032901

### FRANCE (representative agent) Siège social

8, rue des Fontenelles  
44140 Le Bignon  
Tel. +33 1 30 582600  
Fax +33 1 30 581937  
<http://www.mayekawa.eu/fr>  
E-mail: [mayekawa.france@mayekawa.eu](mailto:mayekawa.france@mayekawa.eu)  
**East Branch Office - Service**  
1, rue Blaise Pascal – Bat. B  
78190 Trappes-en-Yvelines  
ZA DE L'ECO PARC - Rue François Coli  
Bâtiment H - 33290 Blanquefort  
Tel. +33 1 30 582600  
Fax +33 1 30 581937

### West Branch Office

Food Processing Division  
2, Rue de la Cassoire  
Parc d'Activité de la Barricade  
22170 Plerneuf  
Tel. +33 2 96765913  
Fax +33 1 30581937

### GERMANY Mayekawa Deutschland GmbH

Zum Buckesch 7a  
48336 Sassenberg-Füchtorf  
Tel. +49 (0) 5426 9059224  
**Vertrieb BRD/Österreich**  
Tel. +49 151 42628055  
<http://www.mayekawa.de>  
Email: [info@mayekawa.de](mailto:info@mayekawa.de)

### HUNGARY

Köbányai út 10/A  
2049 Diósd,  
Tel. +36 23 545712  
Fax +36 23 545715  
<http://www.mayekawa.eu>  
E-mail: [hungary@mayekawa.eu](mailto:hungary@mayekawa.eu)

### ITALY Milan Office

Via Riccardo Lombardi 19/12  
20153 Milano  
Tel. +39 2 48929218  
Fax +39 2 4531728

### Bologna Office

Via Pradazzo 7 40012  
Calerara di Reno  
Tel. +39 51 726364  
Fax +39 51 726804

### MOROCCO

6, Allée des Cyprès  
20250 Casablanca  
Tel. +212 600 041241

### POLAND

ul. Druskiennicka 8/10  
60-476 Poznan  
Tel. +48 61 8420738  
Fax +48 61 8485837

### RUSSIA Moscow Office

Polkovaya St, House 1, bldg 1  
127018 Moscow  
Tel. +7 499 2300176 / 78  
Fax +7 499 2302112  
<http://www.mayekawa.ru>  
E-mail: [info@mayekawa.ru](mailto:info@mayekawa.ru)

### Vladivostok Office

Tigrovaya st., 30, office 22  
690091, Vladivostok  
Tel. +7 423 279-1503

### SOUTH AFRICA

West End  
Unit 3 Prime Park  
Printers Way  
Montague Gardens 7441  
Tel. +27 21 5511434  
Fax +27 86 5463618

### SPAIN

Calle Montevideo 5, Nave 13  
Pol. Industrial Camporosso  
28806 Alcala de Henares, Madrid  
Tel. +34 91 8300392  
Fax +34 91 8300397  
<http://www.mayekawa.es>  
E-mail: [mayekawa@mayekawa.es](mailto:mayekawa@mayekawa.es)

### SWITZERLAND

Rosenbergstrasse 31  
6300 Zug  
Tel. +41 41 7268626  
Fax +41 41 7268620  
<http://www.mayekawa.ch>  
E-mail: [info@mayekawa.ch](mailto:info@mayekawa.ch)

### TURKEY

Dünya Ticaret Merkezi  
A/2 Blok Kat: 10 No. 325  
Yeşilköy  
Istanbul  
Tel. +90 212 46536 31- 34  
Fax +90 212 4653635

### UKRAINE

Goloseevskaya Street 7  
Office 122-123  
03039 Kiev  
Tel. +38 44 2514662

### UNITED KINGDOM

16 Oakhurst Gardens  
DA7 5JP Bexleyheath, Kent  
Tel. +44 1322 433558  
Fax +44 1322 433164

### Japan Head Office

3-14-15 Botan Koto-ku  
Tokyo 135 8482, JAPAN  
Tel. 81 3 3642 8181  
Fax 81 3 3643 7094  
E-mail [e-public@mayekawa.co.jp](mailto:e-public@mayekawa.co.jp)

### MAYEKAWA Europe nv/sa

Leuvensesteenweg 605  
1930 Zaventem - Belgium  
Tel. +32 2 7579075  
Fax +32 2 7579023  
<http://www.mayekawa.eu>  
E-mail [info@mayekawa.eu](mailto:info@mayekawa.eu)

