



RECIPROCATING COMPRESSOR
WBHE-Series

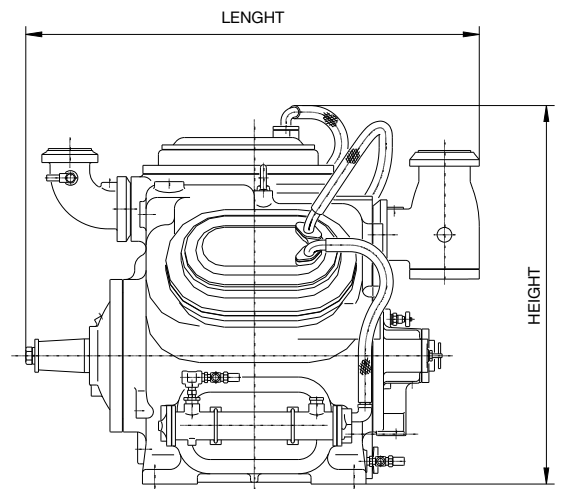
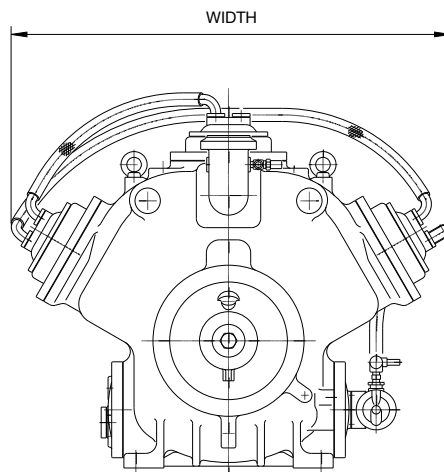


The new WBHE series

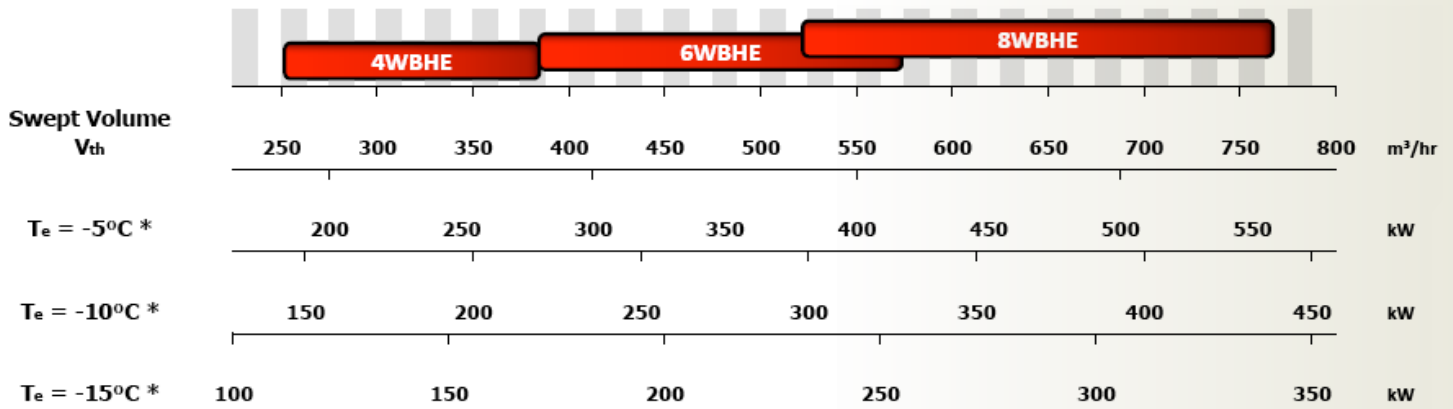
has been designed as an advanced compressor from our popular WB&B series, a compressor type that has proven its reliability and service friendly design with more than 15 000 compressors installed in the field over 50 years worldwide in industry. With this upgraded model we offer a wide range of single stage models for cast iron open type industrial reciprocating compressors.

Our WBHE series is designed to operate with the natural refrigerants (NH₃, hydro carbons) HFC's (R507, R404a, R134a, etc.) and CFC's and is suitable for cooling, freezing and air conditioning systems.

The major structural changes on the new WBHE are the new shaft seal, thrust bearing and main bearing upgrade. For the models 6WBHE and 8WBHE we can offer cylinder (instead of bank-) step control and optional 100% unloaded running.



TYPE	POIDS (kg)	LARGEUR (mm)	LONGUEUR (mm)	HAUTEUR (mm)
4WBHE	1020	1050	1100	1180
6WBHE	1200	1240	1340	1314
8WBHE	1450	1300	1390	1334



* Refrigerant NH₃
T_c = 35°C

ITEM	LIMIT VALUE	REMARKS
Maximum discharge pressure [barG]	23.6	8WBHE/8WBHEU ≤ 1.96 Booster specification < 0.6
	19.6	
Minimum discharge pressure [barG]	6	Except the booster specification
Maximum suction pressure [barG]	5.88 ¹⁾²⁾	Standard specification ≤ 0.35 Booster specification ≤ 0.05
	-0.733	
Minimum suction pressure [barG]	-0.733	B.B specification > 0
Design pressure [barG]	26	
Maximum compression ratio [-]	NH ₃ : ≤ 9	Limited on discharge temperature
	HFCs: ≤ 10	
Minimum compression ratio [-]	≥ 1.5	
Maximum discharge temperature [°C]	NH ₃ : 140	
	HFC, HCFC, R22,	
	propane: 120	
Minimum suction temperature [°C]	-60	
Maximum oil supply temperature [°C]	50	Oil cooler outlet
Suction superheat [K]	> 0, ≤ 20	
Minimum/maximum cooling water inlet temperature [°C]	15/30 ³⁾	Water temperature for head covers ≤ 50
Minimum/maximum rotation speed (rpm)	800/1200	The rotation speed can be controlled

- 1) Standstill is included. Standstill of booster specification is the same as the one of standard specification.
- 2) If this value exceeds 0.35 MPa, B.B specification should be applied
- 3) Other temperatures are possible on request

WORLDWIDE

- 40 countries / 127 offices
- 8 production plants



MAYEKAWA EMEA Organization

ABU DHABI

Ali & Sons Business Center Office No. 201
Ali Khalfan Rashed Al Mutawa Al Dhahiri Bldg.
Plot no 29, Al Ain Road, Umm Al Nar
Tel. +971 2 5102151
Fax +971 2 5102571

BULGARIA

Kamen Andreev Str. 24, 1303 Sofia
Tel. +359 2 8910130
Fax +359 2 8910131

DENMARK

Lindholm Havnevej 29, 5800 Nyborg
Tel. +45 31929000
Email: contact@mayekawa.dk

DUBAI

P.O. Box 61349, W-HOUSE
No. RA-08-UC05
Jebel Ali Free Zone Dubai, UAE
Tel. +971 4 8886363
Fax +971 4 8886373

EGYPT

New Cairo, 5th Settlement
North 90th St.
The 47th Building
Tel. +20 22 5062925
Fax +20 22 5032901

FRANCE (representative agent) Siège social

8, rue des Fontenelles
44140 Le Bignon
Tel. +33 1 30 582600
Fax +33 1 30 581937
<http://www.mayekawa.eu/fr>
E-mail: mayekawa.france@mayekawa.eu

**South East Branch Office
Refrigerant Division**
Rue François Coli - Bâtiment H
33290 Blanquefort
Tel. +33 1 30 582600

West Branch Office Food Processing Division

20, Rue Ampère
22590 Pordic
Tel. +33 1 30589795
Fax +33 1 30581937

GERMANY Mayekawa Deutschland GmbH

Zum Buckesch 7a
48336 Sassenberg-Füchtorf
Tel. +49 (0) 5426 2989920
Vertrieb BRD/Österreich
Tel. +49 151 42628055
<http://www.mayekawa.de>
Email: info@mayekawa.de

HUNGARY

Köbányai út 10/A
2049 Diósd,
Tel. +36 23 545712
Fax +36 23 545715
<http://www.mayekawa.eu>
E-mail: hungary@mayekawa.eu

ITALY Milan Office

Via Riccardo Lombardi 19/12
20153 Milano
Tel. +39 2 48929218
Fax +39 2 4531728

Bologna Office

Via Pradazzo 7 40012
Calerara di Reno
Tel. +39 51 726364
Fax +39 51 726804

MOROCCO

6, Allée des Cyprès
20250 Casablanca
Tel. +212 600 041241

POLAND

ul. Druskiennicka 8/10
60-476 Poznan
Tel. +48 61 8420738
Fax +48 61 8485837

RUSSIA Moscow Office

Polkovaya St, House 1, bldg 1
127018 Moscow
Tel. +7 499 2300176 / 78
Fax +7 499 2302112
<http://www.mayekawa.ru>
E-mail: info@mayekawa.ru

Vladivostok Office

Tigrovaya st., 30, office 22
690091, Vladivostok
Tel: + 7 423 279-1503

SOUTH AFRICA

West End
Unit 3 Prime Park
Printers Way
Montague Gardens 7441
Tel. +27 21 5511434
Fax +27 86 5463618

SPAIN

Calle Montevideo 5, Nave 13
Pol. Industrial Camporosso
28806 Alcala de Henares, Madrid
Tel. +34 91 8300392
Fax +34 91 8300397
<http://www.mayekawa.es>
E-mail: mayekawa@mayekawa.es

SWITZERLAND

Rosenbergstrasse 31
6300 Zug
Tel. +41 41 7268626
Fax +41 41 7268620
<http://www.mayekawa.ch>
E-mail: info@mayekawa.ch

TURKEY

Dünya Ticaret Merkezi
A/2 Blok Kat: 10 No. 325
Yeşilköy
Istanbul
Tel. +90 212 46536 31- 34
Fax +90 212 4653635

UKRAINE

Golosivska Street 17
Office 110
03039 Kiev
Tel. +38 (044) 251-46-62

UNITED KINGDOM

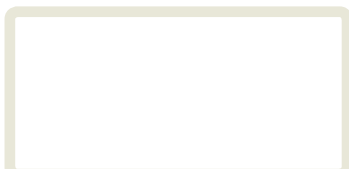
16 Oakhurst Gardens
DA7 5JP Bexleyheath, Kent
Tel. +44 1322 433558
Fax +44 1322 433164

Japan Head Office

3-14-15 Botan Koto-ku
Tokyo 135 8482, JAPAN
Tel. 81 3 3642 8181
Fax 81 3 3643 7094
E-mail e-public@mayekawa.co.jp

MAYEKAWA Europe nv/sa

Leuvensesteenweg 605
1930 Zaventem - Belgium
Tel. +32 2 7579075
Fax +32 2 7579023
<http://www.mayekawa.eu>
E-mail info@mayekawa.eu



Global web site <http://www.mayekawa.com/>