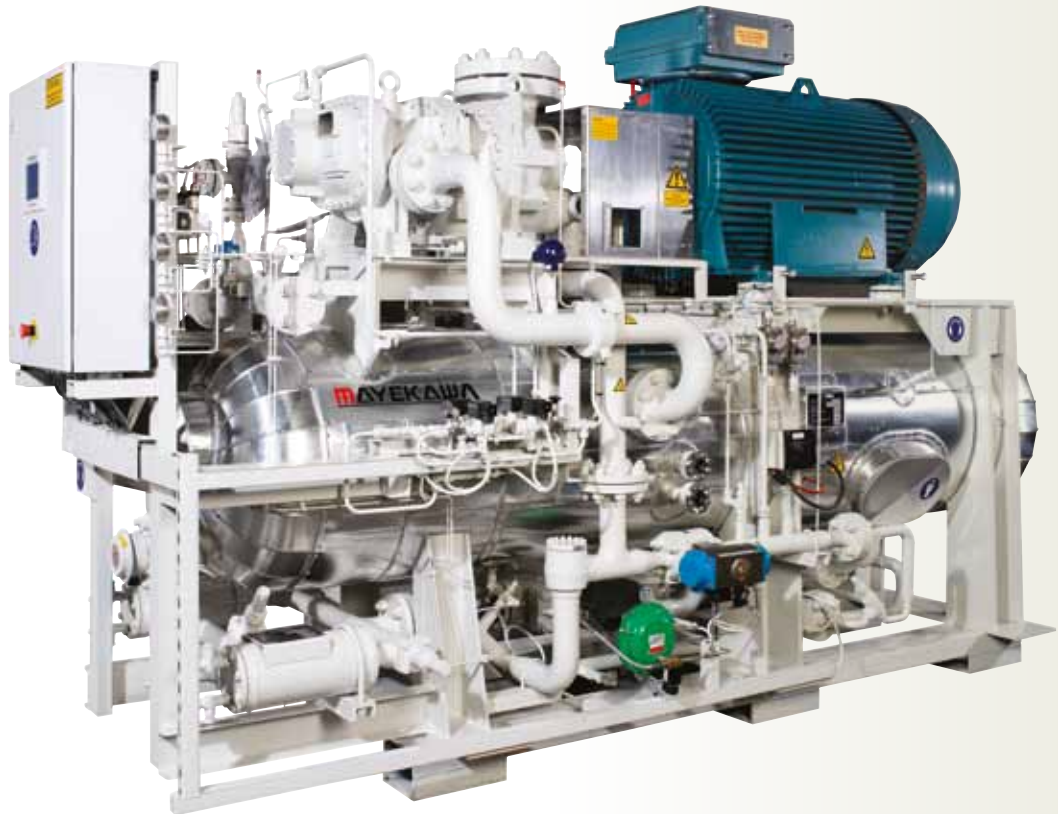




HIGH PRESSURE SCREW COMPRESSOR

GH-Series

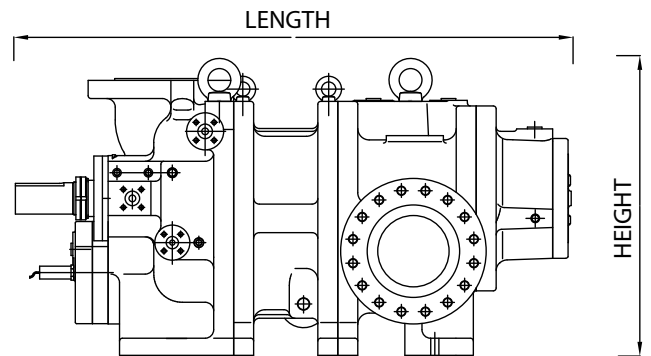
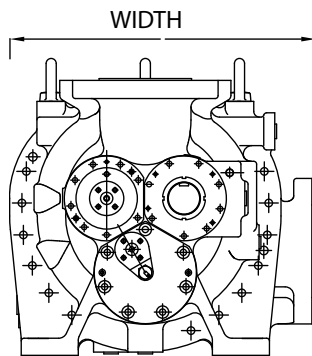


The GH-series

is a series of oil injection type screw compressors capable of running continuously at a discharge pressure of 50 barG. By employing a special rotor profile the GH-series enables a highly efficient operation. The GH-series compressors are designed for various gases: Hydrocarbons, Helium, Hydrogen, CO₂, NH₃ and others. Therefore these compressors are ideal for such applications as high pressure fuel gas supply to gas turbines, low temperature freezing systems on CO₂ with a defrost cycle, ammonia heat pumps, etc.

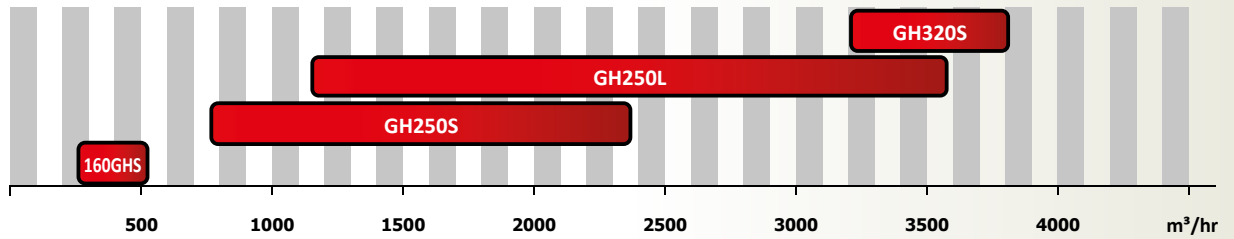
In the GH-series compressors we are using forged steel for the rotors and tilting pads for the thrust bearings¹⁾, which results in longer maintenance intervals and, consequently, lower running costs. The GH-series compressors are compliant with API619, EN-378 ATEX, NACE and other standards and are being successfully applied in a great number of fields.

1) Excluded 160GHS



UNIT TYPE	WEIGHT (kg)	WIDTH (mm)	LENGTH (mm)	HEIGHT (mm)
160GHS	570	510	1021	510
GH250S	2250	785	1568	680
GH250L	2410	785	1711	680
GH320S	5000	1095	1938	970

Swept Volume
V_{th}



Item		Unit	Description			
Model			160GHS-V	GH250S	GH250L	GH320S
Handling Gas			CO ₂ , NH ₃	CO ₂ , Hydrocarbon, Helium, Hydrogen and other gases		
Design Running Condition	Maximum Suction Pressure	BarG	20	20	20	30
	Maximum Discharge Pressure	BarG	45	50	37	50
	Minimum Suction Gas Temperature	°C	-55	30		
	Maximum Discharge Gas Temperature	°C	100°C for setting rotor clearance			
Design Condition	Design Pressure of Casing	BarG	60			
	"Maximum Allowable Working Pressure"	BarG	50 ¹⁾	50		
	"Maximum Allowable Suction Pressure"	BarG	20 (start up: 25)	20	20	30
	Minimum Allowable Suction Pressure	BarG	5			
	Minimum Pressure Differential Between Suction and Discharge	BarG	9	12		5
	Maximum Allowable Discharge Temperature	°C	100			
	Maximum Drive Shaft Speed	rpm	3600	4500	4500	3600
	Minimum Drive Shaft Speed	rpm	1800	1450	1450	2950
Compressor Data	Rotor Profile	-	MYCOM Original			
	Numbre of lobes / Male Rotor	-	5			
	Numbre of lobes / Female Rotor	-	7			
	Vi Control Range	-	1.8, 4.6	2.3, 3.3, 4.5	1,3	1.3, 2.3, 3.3, 4.5

1). 50 BarG operation is limited to 20% of the total operating range.

•The table above is subject to change without notice..

MAYEKAWA

MYCOM

WORLDWIDE

- 40 countries / 127 offices
- 8 production plants



MAYEKAWA EMEA Organization

ABU DHABI

Ali & Sons Business Center Office No. 201
Ali Khalfan Rashed Al Mutawa Al Dhahiri Bldg.
Plot no 29, Al Ain Road, Umm Al Nar
Tel. +971 2 5102151
Fax +971 2 5102571

BULGARIA

Kamen Andreev Str. 24, 1303 Sofia
Tel. +359 2 8910130
Fax +359 2 8910131

DENMARK

Lindholm Havnevej 29, 5800 Nyborg
Tel. +45 31929000
Email: contact@mayekawa.dk

DUBAI

P.O. Box 61349, W-HOUSE
No. RA-08-UC05
Jebel Ali Free Zone Dubai, UAE
Tel. +971 4 8886363
Fax +971 4 8886373

EGYPT

New Cairo, 5th Settlement
North 90th St.
The 47th Building
Tel. +20 22 5062925
Fax +20 22 5032901

FRANCE (representative agent) Siège social

8, rue des Fontenelles
44140 Le Bignon
Tel. +33 1 30 582600
Fax +33 1 30 581937
<http://www.mayekawa.eu/fr>
E-mail: mayekawa.france@mayekawa.eu

**South East Branch Office
Refrigerant Division**
Rue François Coli - Bâtiment H
33290 Blanquefort
Tel. +33 1 30 582600

West Branch Office Food Processing Division

20, Rue Ampère
22590 Pordic
Tel. +33 1 30589795
Fax +33 1 30581937

GERMANY Mayekawa Deutschland GmbH

Zum Buckesch 7a
48336 Sassenberg-Füchtorf
Tel. +49 (0) 5426 2989920
Vertrieb BRD/Österreich
Tel. +49 151 42628055
<http://www.mayekawa.de>
Email: info@mayekawa.de

HUNGARY

Köbányai út 10/A
2049 Diósd,
Tel. +36 23 545712
Fax +36 23 545715
<http://www.mayekawa.eu>
E-mail: hungary@mayekawa.eu

ITALY Milan Office

Via Riccardo Lombardi 19/12
20153 Milano
Tel. +39 2 48929218
Fax +39 2 4531728

Bologna Office

Via Pradazzo 7 40012
Calerara di Reno
Tel. +39 51 726364
Fax +39 51 726804

MOROCCO

6, Allée des Cyprès
20250 Casablanca
Tel. +212 600 041241

POLAND

ul. Druskiennicka 8/10
60-476 Poznan
Tel. +48 61 8420738
Fax +48 61 8485837

RUSSIA Moscow Office

Polkovaya St, House 1, bldg 1
127018 Moscow
Tel. +7 499 2300176 / 78
Fax +7 499 2302112
<http://www.mayekawa.ru>
E-mail: info@mayekawa.ru

Vladivostok Office

Tigrovaya st., 30, office 22
690091, Vladivostok
Tel: + 7 423 279-1503

SOUTH AFRICA

West End
Unit 3 Prime Park
Printers Way
Montague Gardens 7441
Tel. +27 21 5511434
Fax +27 86 5463618

SPAIN

Calle Montevideo 5, Nave 13
Pol. Industrial Camporosso
28806 Alcala de Henares, Madrid
Tel. +34 91 8300392
Fax +34 91 8300397
<http://www.mayekawa.es>
E-mail: mayekawa@mayekawa.es

SWITZERLAND

Rosenbergstrasse 31
6300 Zug
Tel. +41 41 7268626
Fax +41 41 7268620
<http://www.mayekawa.ch>
E-mail: info@mayekawa.ch

TURKEY

Dünya Ticaret Merkezi
A/2 Blok Kat: 10 No. 325
Yeşilköy
Istanbul
Tel. +90 212 46536 31- 34
Fax +90 212 4653635

UKRAINE

Golosivska Street 17
Office 110
03039 Kiev
Tel. +38 (044) 251-46-62

UNITED KINGDOM

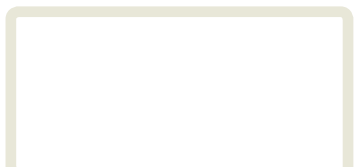
16 Oakhurst Gardens
DA7 5JP Bexleyheath, Kent
Tel. +44 1322 433558
Fax +44 1322 433164

Japan Head Office

3-14-15 Botan Koto-ku
Tokyo 135 8482, JAPAN
Tel. 81 3 3642 8181
Fax 81 3 3643 7094
E-mail e-public@mayekawa.co.jp

MAYEKAWA Europe nv/sa

Leuvensesteenweg 605
1930 Zaventem - Belgium
Tel. +32 2 7579075
Fax +32 2 7579023
<http://www.mayekawa.eu>
E-mail info@mayekawa.eu



Global web site <http://www.mayekawa.com/>