



6.0 MPa HIGH PRESSURE RECIPROCATING COMPRESSOR

HS-Series



The HS-series

introduces a new high pressure series of compressors focusing on environmental friendliness by using natural refrigerants and saving of energy and CO₂ emission.

The machine can be used to compress the gas up to 60 barG.

The HS series compressors can be used in CO₂ refrigeration systems and NH₃ heat pumps.

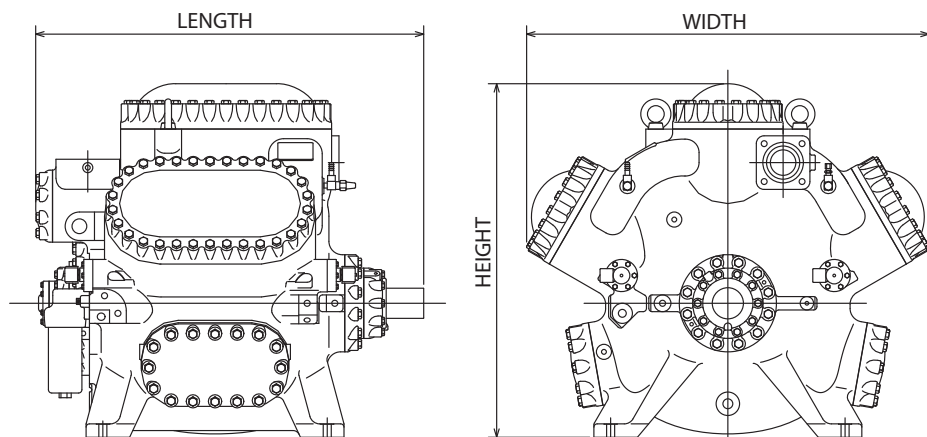
When using the HS series compressor in CO₂ refrigeration, this compressor can also be used for defrosting of the system up to 20°C, in addition to the refrigeration duty.

The HS series compressor heat pumps are directly contributing to significant energy savings.

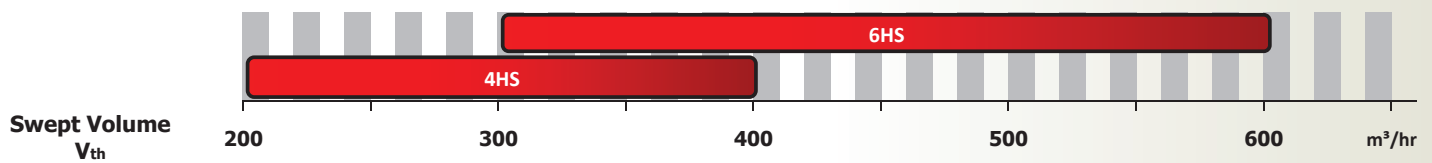
The heat pump can produce hot water up to 95°C with important reduction of fossil fuel consumption such as gas and oil.

The HS series can be used in a wide range of pressures and speeds.

MAYEKAWA HS series compressors directly contribute in achieving your plant energy reduction plan.



UNIT TYPE	WEIGHT (kg)	WIDTH (mm)	LENGTH (mm)	HEIGHT (mm)
4HS	1600	1100	1200	1100
6HS	1800	1300	1200	1100



ITEM	LIMIT VALUE	REMARKS
Maximum discharge pressure [barG]	60	
Maximum suction pressure [barG]	30 ¹⁾	
Minimum suction pressure [barG]	CO ₂ ; 4.2 NH ₃ ; ²⁾	
Maximum differential pressure [barG]	40	Pd-Ps
Design pressure [barG]	66 / 35	Low/High
Maximum compression ratio [-]	NH ₃ : ≤ 5.0	Limited on discharge temperature
Maximum discharge temperature [°C]	140	
Minimum suction temperature [°C]	-60	
Maximum oil supply temperature [°C]	70	Oil cooler outlet
Suction superheat [K]	> 0, ≤ 15	
Minimum/maximum cooling water inlet temperature [°C]	15 / 50	Water temperature for head covers ≤ 50
Minimum/maximum rotation speed (rpm)	750 / 1500	Direct drive only

1) During start-up condition, maximum should be kept less than 3.0MPa.
 2) Now checking.

MAYEKAWA

MYCOM

WORLDWIDE

- 40 countries / 127 offices
- 8 production plants



MAYEKAWA EMEA Organization

ABU DHABI

Ali & Sons Business Center Office No. 201
Ali Khalfan Rashed Al Mutawa Al Dhahiri Bldg.
Plot no 29, Al Ain Road, Umm Al Nar
Tel. +971 2 5102151
Fax +971 2 5102571

BULGARIA

Kamen Andreev Str. 24, 1303 Sofia
Tel. +359 2 8910130
Fax +359 2 8910131

DENMARK

Lindholm Havnevej 29, 5800 Nyborg
Tel. +45 31929000
Email: contact@mayekawa.dk

DUBAI

P.O. Box 61349, W-HOUSE
No. RA-08-UC05
Jebel Ali Free Zone Dubai, UAE
Tel. +971 4 8886363
Fax +971 4 8886373

EGYPT

New Cairo, 5th Settlement
North 90th St.
The 47th Building
Tel. +20 22 5062925
Fax +20 22 5032901

FRANCE (representative agent) Siège social

8, rue des Fontenelles
44140 Le Bignon
Tel. +33 1 30 582600
Fax +33 1 30 581937
<http://www.mayekawa.eu/fr>
E-mail: mayekawa.france@mayekawa.eu

South East Branch Office Refrigerant Division

Rue François Coli - Bâtiment H
33290 Blanquefort
Tel. +33 1 30 582600

West Branch Office Food Processing Division

20, Rue Ampère
22590 Pordic
Tel. +33 1 30589795
Fax +33 1 30581937

GERMANY Mayekawa Deutschland GmbH

Zum Buckesch 7a
48336 Sassenberg-Füchtorf
Tel. +49 (0) 5426 2989920
Vertrieb BRD/Österreich
Tel. +49 151 42628055
<http://www.mayekawa.de>
Email: info@mayekawa.de

HUNGARY

Köbányai út 10/A
2049 Diósd,
Tel. +36 23 545712
Fax +36 23 545715
<http://www.mayekawa.eu>
E-mail: hungary@mayekawa.eu

ITALY Milan Office

Via Riccardo Lombardi 19/12
20153 Milano
Tel. +39 2 48929218
Fax +39 2 4531728

Bologna Office

Via Pradazzo 7 40012
Calerara di Reno
Tel. +39 51 726364
Fax +39 51 726804

MOROCCO

6, Allée des Cyprès
20250 Casablanca
Tel. +212 600 041241

POLAND

ul. Druskiennicka 8/10
60-476 Poznan
Tel. +48 61 8420738
Fax +48 61 8485837

RUSSIA Moscow Office

Polkovaya St, House 1, bldg 1
127018 Moscow
Tel. +7 499 2300176 / 78
Fax +7 499 2302112
<http://www.mayekawa.ru>
E-mail: info@mayekawa.ru

Vladivostok Office

Tigrovaya st., 30, office 22
690091, Vladivostok
Tel: + 7 423 279-1503

SOUTH AFRICA

West End
Unit 3 Prime Park
Printers Way
Montague Gardens 7441
Tel. +27 21 5511434
Fax +27 86 5463618

SPAIN

Calle Montevideo 5, Nave 13
Pol. Industrial Camporosso
28806 Alcala de Henares, Madrid
Tel. +34 91 8300392
Fax +34 91 8300397
<http://www.mayekawa.es>
E-mail: mayekawa@mayekawa.es

SWITZERLAND

Rosenbergstrasse 31
6300 Zug
Tel. +41 41 7268626
Fax +41 41 7268620
<http://www.mayekawa.ch>
E-mail: info@mayekawa.ch

TURKEY

Dünya Ticaret Merkezi
A/2 Blok Kat: 10 No. 325
Yeşilköy
Istanbul
Tel. +90 212 46536 31- 34
Fax +90 212 4653635

UKRAINE

Golosivska Street 17
Office 110
03039 Kiev
Tel. +38 (044) 251-46-62

UNITED KINGDOM

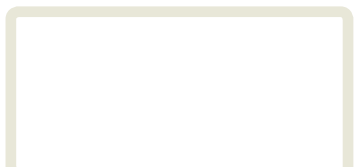
16 Oakhurst Gardens
DA7 5JP Bexleyheath, Kent
Tel. +44 1322 433558
Fax +44 1322 433164

Japan Head Office

3-14-15 Botan Koto-ku
Tokyo 135 8482, JAPAN
Tel. 81 3 3642 8181
Fax 81 3 3643 7094
E-mail e-public@mayekawa.co.jp

MAYEKAWA Europe nv/sa

Leuvensesteenweg 605
1930 Zaventem - Belgium
Tel. +32 2 7579075
Fax +32 2 7579023
<http://www.mayekawa.eu>
E-mail info@mayekawa.eu



Global web site <http://www.mayekawa.com/>